

Insulin Syringes

Fixed and Safety
Retractable options

DESCRIPTION

m|devices disposable 1mL syringes have pre-attached needles available in 8mm and 13mm lengths and 27G, 29G and 30G options. The safety retractable version retracts the needle into the barrel after injection to prevent re-use and needle stick injury.

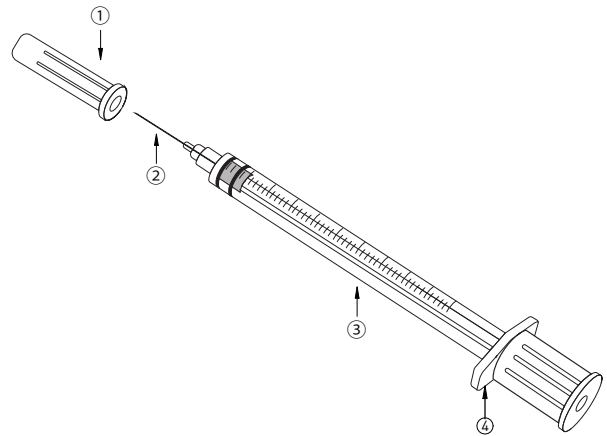
FEATURES & BENEFITS

- Bold scale markings
- Orange cap colour for easy identification
- Pre-attached needle
- Retractable version permanently disables needle reduces risk of needle stick injury and blood splatter
- Luer slip and luer lock compatible
- Peel open pouch

PRODUCT DATA

- Volume: 1mL and 0.5mL options
- Needle size: 27G, 29G and 30G
- Needle length: 8mm and 13mm
- Needle type: 60-degree bevel
- ARTG: 272214
- DEHP NO = Not detected (Result less than the Method Detection Limit EN 14372)
- Materials: PP and silicone syringe and Stainless steel needle
- Shelf Life: 5 Years

PRODUCT DIAGRAM



ITEM	DESCRIPTION
1	Cap
2	Needle
3	Barrel
4	Plunger

Insulin Syringes

Fixed and Safety
Retractable options

Insulin Syringe			STERILE
RE-ORDER	DESCRIPTION	SIZE	CARTON/QTY
IV120127	Insulin Syringe	27G x 13mm	100
IV120129	Insulin Syringe	29G x 13mm	100
IV120130	Insulin Syringe	30G x 13mm	100
IV121127	Insulin Syringe	27G x 8mm	100
IV121129	Insulin Syringe	29G x 8mm	100
IV121130	Insulin Syringe	30G x 8mm	100
IV158029	Insulin Syringe	0.5mL 29G x 8mm	100
IV120529	Insulin Syringe	0.5mL 29G x 13mm	100
IV158129	Insulin Syringe	29G x 8mm	100
IV150127	Insulin Syringe	27G x 13mm	100
IV150129	Insulin Syringe	29G x 13mm	100